

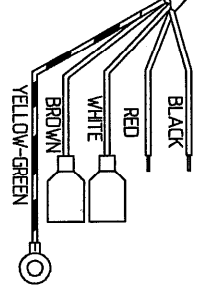
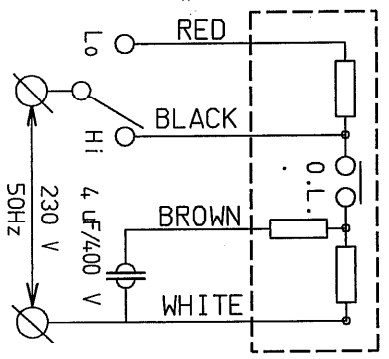
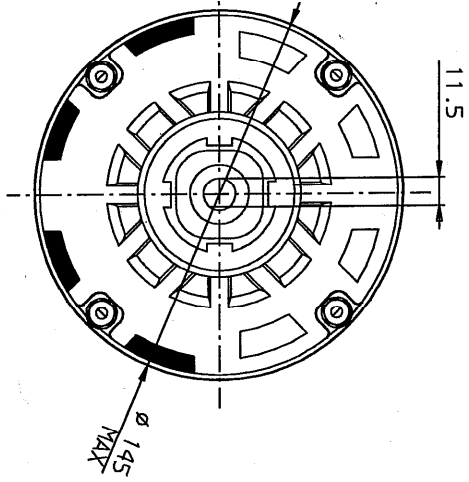
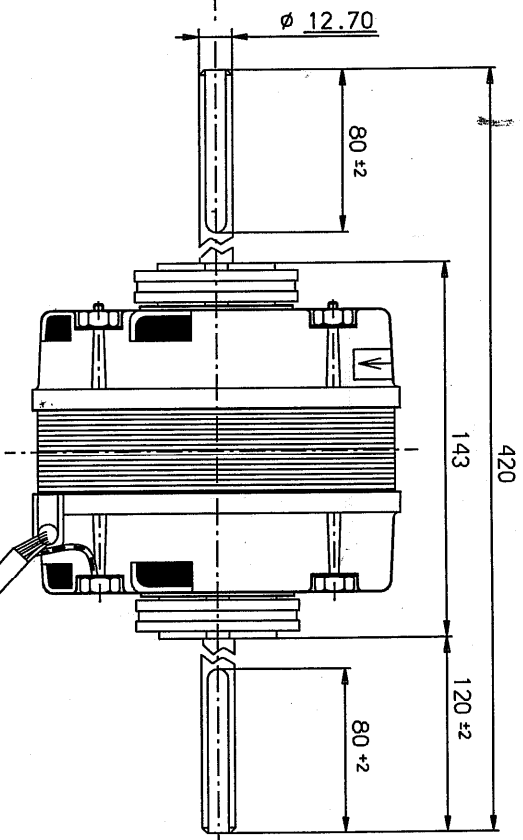
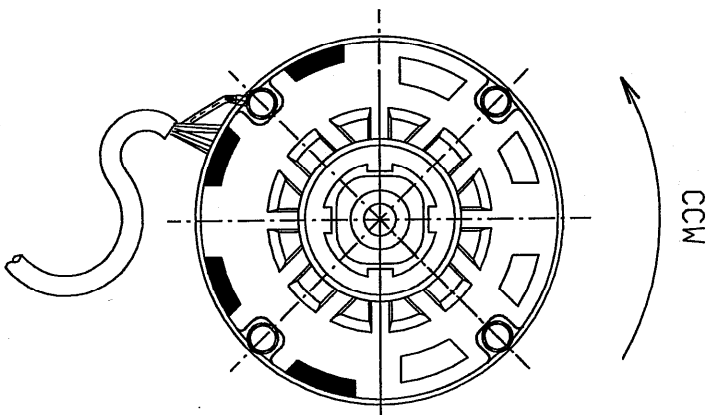
5044

HVR 20

PRINT COLOR: BLACK

TYPE	6385044	HVR 20	DYNAR
CLB	THPR	4UF/400V	
IPH	230V 50Hz	1.1A	HP-1/6
RPM:	900/750	←	DATE

WRES CAT No	1615044		
DESCRIPTION	COLOUR	LENGTH	
LEADS	RED/BLACK	850±50	
	WHITE/BROWN	850±50	FASTON 250+ COVER
	YELLOW/GREEN	880±50	RING TERMINAL Ø5
Ø12mm PVC SLEEVE	BLACK	500±50	



<b>DRWG.</b>	4613	<b>Motor label</b>	HVR 20
Drawn	EL	Cat.No:	1315044
Approved		Motor type	4385043
Scale	1:3	Customer	AMCOR
Gen. Tolerance	±0.5	File:	E-GR638-5044/VASSY
		Vf:	5044
		PRINT:	07/7/03
		Cat.No:	31797

999516